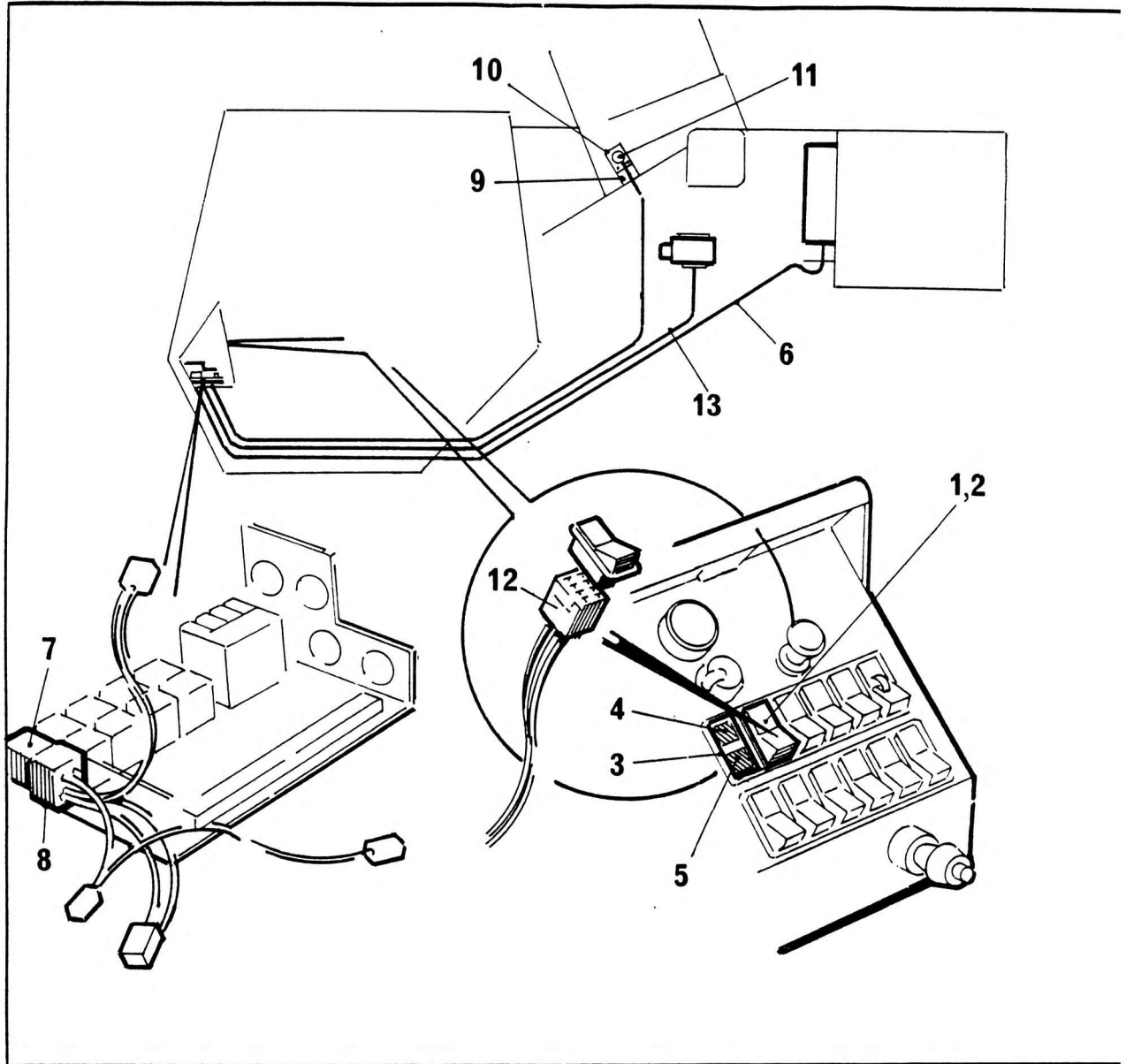


Elect Assy Rear Stab Interlock



NO.	PART NO.	QTY.	DESCRIPTION	NO.	PART NO.	QTY.	DESCRIPTION
1	7-872-990235	1	Switch Safety				
2	8387680	1	Lens Insert Black				
3	7-581-990182	1	Lamp Warning				
4	7-589-990132	1	Lens Insert-Blocked on Outriggers				
5	7-589-990133	1	Lens Insert-Free on Wheels				
6	8-977-222200	1	Cable Twin				
7	7-750-990032	1	Relay				
8	8871083	1	Base Plug in Relay				
9	6-184-992026	1	Bracket				
10	6-869-990617	1	Support				
11	7-872-990222	1	Proximity Sensor				
12	8787105	1	Socket Housing 8-Way				
13	8-977-222200	1	Cable Twin				